

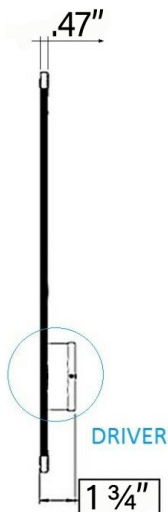
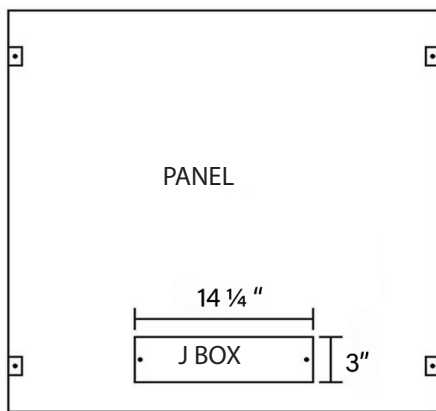
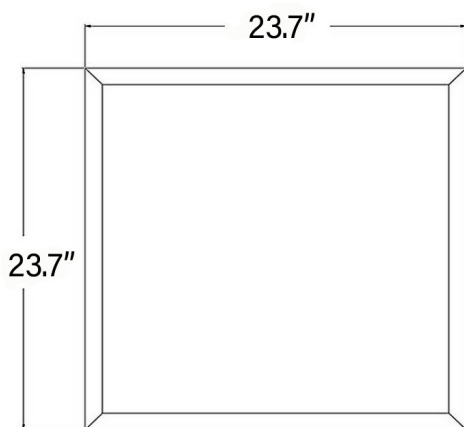


SEE BETTER • FEEL BETTER • FUNCTION BETTER



### WalaLight 22

The Wala22 System is a 2 foot x 2 foot square LED lights that is an energy efficient and money-saving replacement for fluorescent ceiling lights. The 2' x 2' LED lighting system allows a single light to vary between bright natural daylight (5700 Kelvin) and warm light (2200 Kelvin) and is dimmable to any brightness level.



### Wala 22™ System

<b>PRODUCT TYPE</b>	Kelvin & dimming variable edge lit low glare LED panel
<b>MANUFACTURER</b>	WalaLight
<b>MODEL NUMBER</b>	W22WH40v3
<b>RATED VOLTAGE</b>	100 -277 VAC, 50/60 Hz
<b>WATTAGE</b>	40W
<b>LUMENS</b>	Up to 4463 lumens
<b>KELVIN</b>	2200 to 5700
<b>LED CHIPSET</b>	240 pcs of 3528 and 3030 Seoul Semiconductor SunLike diodes
<b>POWER FACTOR</b>	0.98
<b>BEAM ANGLE</b>	120 degrees
<b>CRI</b>	>95 daylight >90 warm
<b>LIFESPAN</b>	>90,000 Hours ( per L70 report)
<b>DIMMABLE</b>	YES - Kelvin & brightness adjustable
<b>WARRANTY</b>	10 years on panels, 5 years on optional driver / controls
<b>CERTIFICATION</b>	
<b>DIMENSIONS</b>	2'x2' (603mm x 603mm)
<b>THICKNESS</b>	.47" (12mm) or 1 3/4" with optional junction box
<b>WEIGHT</b>	10.22 lbs (included junction box )
<b>FRAME</b>	Aluminum with White powder coated finish
<b>MOUNTING</b>	Fits in ceiling grid or flush mount kit, or pendant hang (sold separately)
<b>LIGHT GUIDE</b>	PMMA non-yellowing 3mm diamond cut acrylic
<b>PERCENT OF WATTAGE SAVED FROM AVERAGE REPLACEMENT*</b>	Up to 67%

(\*excludes savings in labor, frequency of bulb changes, ballast, and HVAC savings)